

INNOVATIVE

# EdgeTec **Auto Tape Station**

TAPERS

## OPERATOR FRIENDLY

The side belt driven Auto Tape Station is designed for compact sealing. The durable design has proven to be one of the most reliable case tapers on the market today, keeping production and maintenance efforts to a minimum. The Auto Tape Station provides a fast and cost-efficient alternative to hand taping.

## PACKING AND SEALING MADE EASY

Designed with the customer in mind, the Auto Tape Station is supplied with high quality rollers and CE certified motors. Operation is simple: open the case and manually fold the bottom flaps and place case on a level surface to be filled. Once filled, the operator pushes down and holds the top flaps while the box enters the machine to be sealed. The machine then automaticall adjusts for the box size and applies tape to the top and bottom of the box.

## LESS DOWNTIME

The Auto Tape Station offers fast and easy case changes. When a box 5.9" in length or greater is placed into the machine, sensors make automatic adjustments for width and height to allow for a truly random box taping. Auto Tape Station utilizes EdgeTec's Easy Swap top and bottom tape heads and will seal boxes as narrow as 5.9" wide and as low as 4.72" tall.

## INDUSTRIAL QUALITY

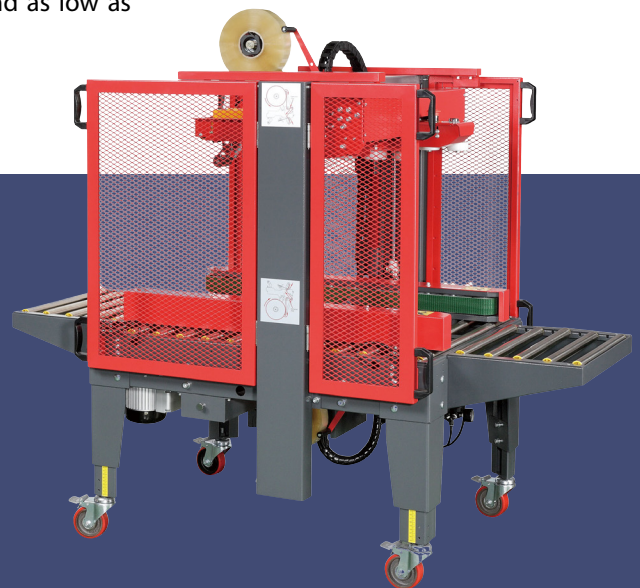
CE approved dual drive motors, aggressive industrial strength side belts and roller tables make the Auto Tape Station a workhorse. Each machine is made from 12 gauge steel and will withstand the most rugged applications. The powder coated exterior protects the machine from harsh conditions.

## CONVENIENCE

This machine accept 2" wide pressure-sensitive tape as a standard, or can be ordered with 3" tape heads. The use of EdgeTec's Auto Tape Station can be learned in seconds; avoiding breaks in production and downtime, saving your company money and increasing your ROI.

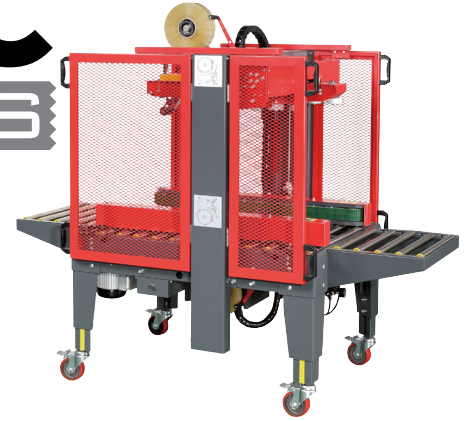
## THE RIGHT SOLUTION

Rugged design. Proven reliability. Simple operation. Your benefits go on and on. When it comes to industrial operation, rely on EdgeTec to provide the right solution for your case sealing needs.



**Distributed  
by:**

# EdgeTec TAPERS



| AUTO TAPE STATION FEATURES  | AUTO TAPE STATION TAPING SPECIFICATIONS                               |  |       |        |
|---|---|--|-------|--------|
| <ul style="list-style-type: none"> <li>Utilizes EdgeTec's Easy Swap tape head</li> <li>Industrial strength front and rear packing rollers</li> <li>Plug-in and go operation</li> <li>Powder coated 12 gauge steel</li> <li>Top and bottom tape heads</li> <li>Industrial strength side belts</li> <li>Adjustable leg extensions</li> <li>Automatic box size changes</li> <li>Low maintenance</li> <li>Accommodates wide range of case sizes</li> <li>Casters for transportation within plant</li> </ul> | Sealer Type   | Uniform side belt, automatic top and bottom case sealer  |       |        |
|   | Machinery Makeup  | Industrial strength 12 gauge steel, powder coated for durability or Stainless Steel                  |       |        |
|   | Production Speed  | Up to 7 cartons per minute   |       |        |
|   | Belt Speed  | 65 feet per minute   |       |        |
|   | Machine Specifications  | 42.5" x 36.7" x 52" (L x W x H)   805 lbs  |       |        |
|   | BOX SPECIFICATIONS  | Length   | Width | Height |
|   | Maximum Box Size  | ∞  | 19.7" | 19.7"  |
|   | Tape Size   | 2" wide pressure sensitive tape, up to 15" diameter rolls, optional 3" wide tape                     |       |        |
|   | Tape Head   | Proven design requires no lubrication, designed for simple tape threading, removable for maintenance |       |        |
|   | Air Requirements  | 80 PSI   |       |        |
|   | Electrical Requirements   | 110 VAC, 60Hz, 1 phase   |       |        |
|   | Agency Approvals  | CE Certification   |       |        |
|   | AUTO TAPE STATION OPTIONAL ACCESSORIES                                |  |       |        |
|   | 3" Tape Head  | Accepts 3" wide tape rolls   |       |        |
| Front Packing Table   | Roller table bolts on before taping system to allow for case movement |  |       |        |
| Rear Packing Table  | Roller table bolts on after taping system to allow for case movement  |  |       |        |