

INNOVATIVE

# EdgeTec Roll-Up Station

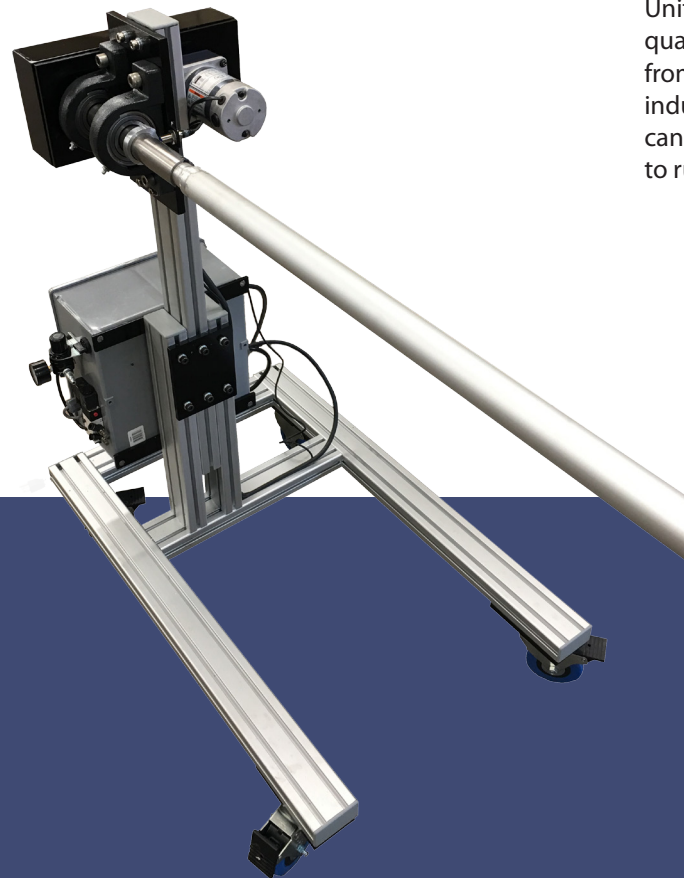
TAPERS

## OPERATOR FRIENDLY

The Roll-Up machine was built from the ground up to ensure the best operator experience. With custom programming and a dedicated foot pedal and control switch, the machine is quick to learn and allows for multiple adjustments in order to provide the best roll for your product.

## Customization

Almost all elements of the Roll-Up Station are customizable. When reviewing your requirements, we will help design a machine that will work for you. We offer multiple sizes and styles of shafts to fit your materials. Shafts can even be swapped out to offer different IDs for your materials. We recognize that a slit design may not be the best solution for everyone, so we created a vacuum style tube with blow back for light weight materials.



## CONVENIENCE

Rolling materials by hand can be costly and does not provide the best working conditions. With the introduction of the Roll-Up Station to your production line, you will see improvements in both roll-up speed and employee satisfaction.

## THE RIGHT SOLUTION

Rugged design. Proven reliability. Simple operation. The benefits you receive go on and on. When it comes to industrial operation, rely on EdgeTec to provide the right solution for your production needs.

## LESS DOWNTIME

The Roll-Up Station is built in the United States and uses only the highest quality materials. With a frame built from extruded aluminum along with industrial grade motors and parts, you can expect the EdgeTec Roll-Up Station to run for many years.

Distributed  
by:

INNOVATIVE

# EdgeTec TAPERS



ROLL-UP STATION FEATURES	ROLL-UP STATION MACHINE SPECIFICATIONS			
<ul style="list-style-type: none"> <li>Utilizes EdgeTec's custom rolling software providing the easiest operation possible</li> <li>Up to 10 posters per minute for experienced operators</li> <li>Plug-in and go operation</li> <li>Extruded aluminum framework</li> <li>Industrial grade parts for extend lifetime</li> <li>Adjustable rolling height from 34-46"</li> <li>Fast and Easy Speed Adjustments</li> <li>Locking Casters for transportation within plant</li> <li>Universal Hub for fast shaft switches</li> <li>Custom slip clutch to prevent damage to the machine if shaft becomes jammed</li> </ul>	Type	Variable speed roll-up machine		
	Machinery Makeup	Extruded Aluminum frame and high quality parts		
	Working Speed	6-10 posters / min, Max 144 ft/min		
	Rolling Height	34" - 46", Can be customized upon request		
	Machine Specifications	36" x 23" x 40" (LxWxH)   116 lbs		
	SPECIFICATIONS	Length	Width	Thickness
	Minimum Size	2"	1"	0.1mm
	Maximum Size	∞	236"	~3mm
	Shaft Length	Customizable between 0.79" - 236" *Shafts over 56" may require steady rest		
	Shaft Diameters	1.18", 1.57", 2.00" and 4.33"		
Programing	Machine programing is designed specifically for the customer in order to provide the easiest operation			
Electrical Requirements	110 VAC, 50/60Hz, 1 Phase 220 VAC, 50/60Hz, 1 Phase			
Country of Origin	Proudly made in the USA			
ROLL-UP STATION OPTIONS				
Additional Shafts	With our Universal Hub switching shafts is easy. With the purchase of an additional shaft. You can switch lengths and diameters with a simple bolt.			
Pneumatic Steady Rest	For long shafts, the steady rest reduces sway and automatically disengages when rolling is finished.			
Shaft Inserts	For hard to roll materials, a variety of inserts are used to prevent slippage			
Customization	Each machine is custom built, any modifications to size can be made to fit your needs.			

# EdgeTec TAPERS

1136 Frost Ave. • Maplewood, Minnesota 55109  
 PH 651.482.7767 • FX 651.484.6216  
 sales@edgetectapers.com  
[www.edgetectapers.com](http://www.edgetectapers.com)